

-1f52-1f43-1f39-1f09-1f20-1f54-1f70-1f37-1f14-1f17-1f06-10*72-10*56-10*46-10*44-10*68-10*67-10*50-10*45-10*48-10*50-10*38-10*01 -9*63 -9*33 -9*14 -9*03 -8*60 -8*58 -8*49 -8*26 -8*29 -8*19 -8*22 -8*21 -8*00

-1f82-1f76-1f77-1f25-10*80-1f36-1f90-1f45-1f26-1f35-1f12-1f07-10*92-10*66-10*64-10*95-1f12-10*73-10*61-1f12-1f35-1f13-10*27 -9*70 -9*26 -9*10 -8*99 -8*63 -8*46 -8*36 -8*22 -8*06 -8*03 -7*77 -7*64 -7*42

-12*13-1f80-1f80-1f67-1f20-1f29-1f58-1f57-1f49-1f51-1f34-1f35-1f24-1f00-1f16-1f41-1f41-1f06-1f02-1f49-1f65-1f49-10*72 -9*68 -9*18 -9*08 -9*13 -8*89 -8*56 -8*39 -8*17 -7*91 -7*82 -7*75 -7*40 -7*31

-12*42-1f90-1f72-1f75-1f47-1f34-1f66-1f67-1f60-1f58-1f49-1f44-1f43-1f42-1f50-1f55-1f64-1f24-1f51-1f75-1f77-1f60-10*88 -9*86 -9*17 -9*00 -9*00 -8*97 -8*75 -8*44 -8*23 -7*93 -7*73 -7*58 -7*38 -7*25

-12*37-12*16-1f70-1f69-1f53-1f54-1f70-1f66-1f58-1f53-1f45-1f44-1f39-1f48-1f54-1f58-1f56-1f55-1f69-1f92-1f87-1f69-10*87 -9*49 -9*02 -8*95 -8*93 -8*92 -8*75 -8*41 -8*20 -7*95 -7*76 -7*62 -7*39 -7*09

-12*08-1f87-1f61-1f66-1f55-1f58-1f60-1f49-1f44-1f41-1f41-1f34-1f21-1f19-1f33-1f39-1f36-1f45-1f77-1f98-1f87-1f36-10*38 -9*12 -8*76 -8*73 -8*68 -8*65 -8*54 -8*30 -8*17 -7*98 -7*76 -7*48 -7*20 -6*91

-1f47-1f25-1f15-1f20-1f20-1f35-1f26-1f08-1f02-1f14-1f13-10*98-10*87-10*84-10*92-10*91-10*87-1f17-1f58-1f71-1f58-10*96 -9*95 -9*04 -8*68 -8*74 -8*80 -8*73 -8*51 -8*37 -8*12 -8*09 -7*57 -7*15 -6*79 -6*50

-10*96-10*70-10*57-10*61-10*73-10*82-10*85-10*64-10*62-10*86-10*69-10*66-10*68-10*69-10*54-10*52-10*55-10*78-1f23-1f38-1f11-10*65 -9*65 -8*84 -8*64 -8*77 -8*90 -8*79 -8*71 -8*55 -8*37 -8*26 -7*67 -7*08 -6*74 -6*40

-10*36-10*02 -9*85 -9*87-10*03-10*23-10*23-10*13-10*14-10*27-10*16 -9*92-10*32-10*24-10*05-10*12-10*09-10*38-10*82-10*92-10*60-10*20 -9*41 -8*79 -8*59 -8*77 -8*94 -8*96 -8*95 -8*79 -8*58 -8*32 -7*77 -7*21 -6*71 -6*28

-9*66 -9*30 -9*08 -9*22 -9*26 -9*51 -9*59 -9*49 -9*55 -9*64 -9*46 -9*27 -9*59 -9*61 -9*39 -9*49 -9*47 -9*92-10*45-10*46-10*12 -9*75 -9*18 -8*74 -8*56 -8*69 -8*98 -9*12 -9*16 -9*11 -8*77 -8*35 -7*84 -7*25 -6*65 -6*25

-8*96 -8*50 -8*52 -8*69 -8*69 -8*85 -8*84 -8*81 -8*83 -8*95 -8*70 -8*65 -8*80 -8*76 -8*72 -8*71 -8*79 -9*45 -9*77 -9*82 -9*75 -9*37 -8*98 -8*61 -8*44 -8*56 -8*93 -9*29 -9*28 -9*40 -8*96 -8*43 -7*92 -7*29 -6*60 -6*24

-8*37 -8*04 -8*13 -8*18 -8*17 -8*17 -8*10 -8*18 -8*11 -8*23 -7*93 -7*83 -7*98 -8*06 -8*06 -8*13 -8*19 -8*61 -9*05 -9*33 -9*34 -9*20 -8*83 -8*48 -8*33 -8*49 -8*90 -9*31 -9*37 -9*34 -9*05 -8*53 -7*93 -7*18 -6*55 -6*27

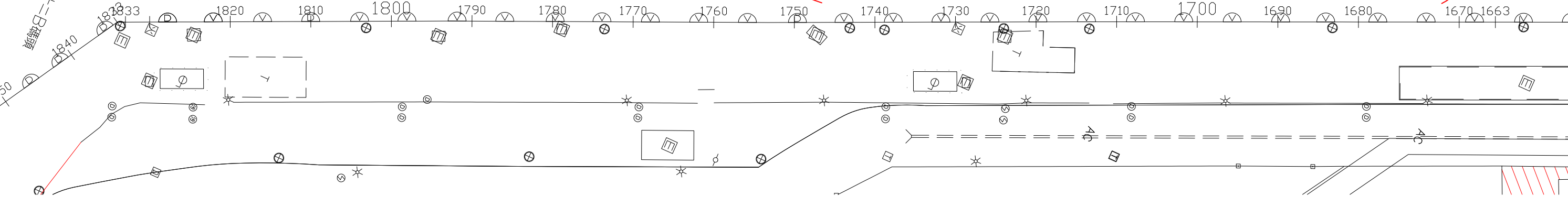
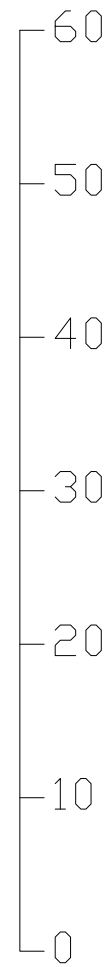
-7*73 -7*74 -7*69 -7*68 -7*51 -7*48 -7*55 -7*58 -7*57 -7*58 -7*47 -7*37 -7*40 -7*46 -7*57 -7*60 -7*63 -7*87 -8*38 -8*82 -8*98 -9*03 -8*85 -8*46 -8*18 -8*46 -9*00 -9*26 -9*28 -9*29 -8*99 -8*50 -7*89 -7*05 -6*52 -6*37

-7*25 -7*43 -7*30 -7*16 -7*02 -7*02 -7*02 -7*05 -7*07 -7*03 -7*10 -7*08 -7*12 -6*98 -7*07 -7*07 -7*12 -7*40 -7*83 -8*25 -8*69 -8*90 -8*64 -8*42 -8*11 -8*38 -9*08 -9*11 -9*12 -9*10 -8*90 -8*36 -7*68 -6*97 -6*65 -6*48

-6*95 -7*03 -6*91 -6*78 -6*63 -6*68 -6*64 -6*62 -6*71 -6*72 -6*81 -6*86 -6*81 -6*68 -6*59 -6*57 -6*62 -6*76 -7*27 -7*82 -8*26 -8*47 -8*39 -8*24 -8*09 -8*30 -8*98 -8*94 -8*97 -8*93 -8*71 -8*73 -7*49 -7*02 -6*78 -6*54

-6*57 -6*67 -6*66 -6*42 -6*32 -6*40 -6*34 -6*31 -6*32 -6*47 -6*70 -6*71 -6*56 -6*41 -6*32 -6*15 -6*18 -6*36 -6*80 -7*26 -7*76 -8*12 -8*20 -8*12 -8*18 -8*11 -8*59 -8*79 -8*90 -8*77 -8*50 -7*97 -7*44 -7*06 -6*73 -6*53

-6*26 -6*39 -6*43 -6*38 -5*96 -6*24 -5*97 -6*07 -6*05 -6*21 -6*52 -6*54 -6*53 -6*40 -6*05 -5*89 -5*95 -6*19 -6*52 -6*65 -7*45 -7*96 -8*25 -8*14 -8*21 -8*22 -8*19 -8*65 -8*72 -8*58 -8*37 -7*86 -7*28 -7*01 -6*69 -6*42



碼頭里程：1663m~1833m
水深誤差值：0.25m~0.27m

※建議參考碼頭水深資料及即時潮汐系統做為船舶停靠之依據

工程名稱	113年度基隆港、臺北港、蘇澳港既有堤防複測技術服務 碼頭水深圖	測繪單位	詮華國土測繪有限公司	圖名	基隆港 W12 碼頭水深圖	圖號	平面系統	TWD97	比例尺	1:500
						W12	高程系統	基隆港築港高程系統	日期	113.10